

**TAI CHAN**  
Your dependable woodworking partner.

**雙端圓鋸機**  
**雙端圓鋸附立軸機**  
**DOUBLE END MITER SAW**

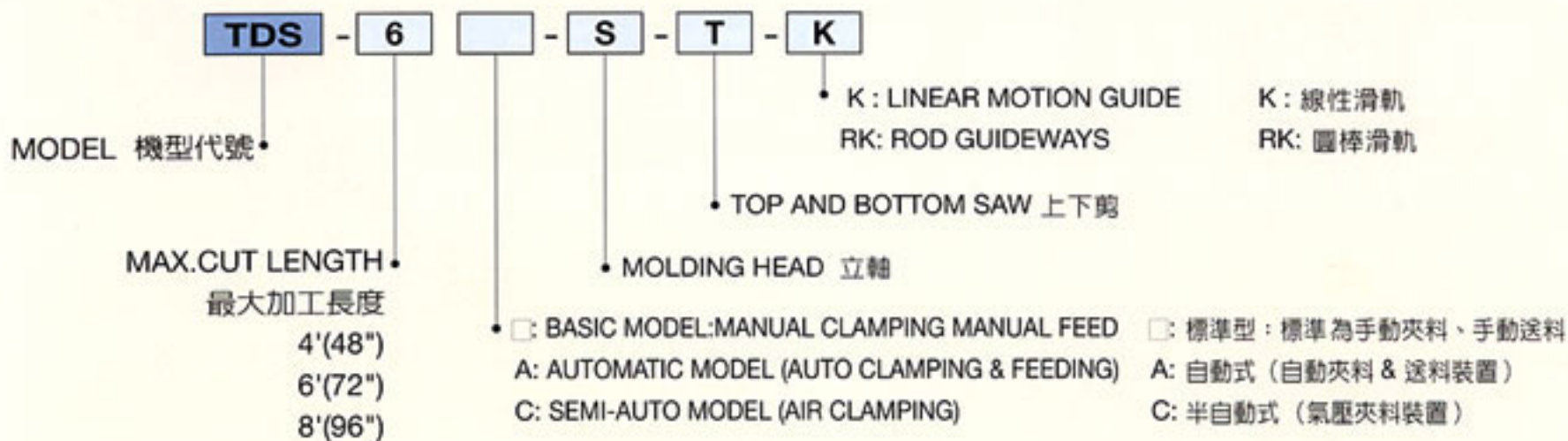


A faster way to cut both end at a time.

# 雙端圓鋸機 / 雙端圓鋸附立軸機

## DOUBLE END MITER SAW

QUALITY FEATURES FOR EFFICIENT PERFORMANCE.



### LINEAR MOTION GUIDE (OPTIONAL)

The railway is fitted with linear motion guide, ensuring high accuracy cutting and molding.

#### 線性滑軌 (選購配備)

滑道裝置線性滑軌，鋸切、作榫精度高。



### ROD GUIDEWAYS (OPTIONAL)

The rod guide ways are manufactured from bearing steel, hardened and precision ground, combined with the use of linear bearing for smooth and precise stroke.

#### 圓棒滑軌 (選購配備)

圓棒滑軌採用軸承鋼，經高週波熱處理，研磨、鍍硬鉻處理。配合線性軸承，行程順暢、高精度。

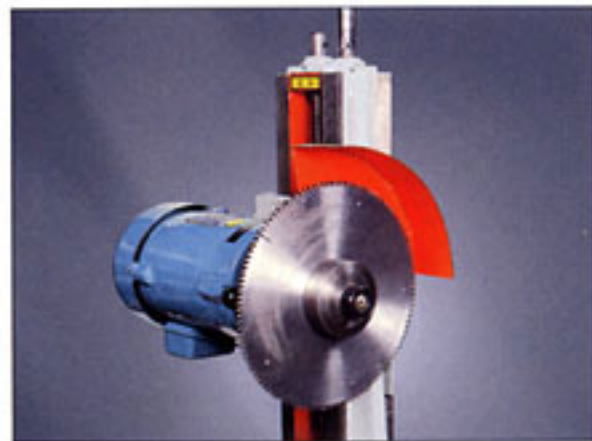


### SAWHEAD AND MOULDING SPINDLE COMBINATION

This combination enable you do cut off and edge moulding in a single pass, high efficiency is assured. Since each head is adjusted independently at various angles, a wide variety of tenon can be cut.

#### 鋸頭及立軸組合

鋸切及鉋榫一次送料完成高效率。

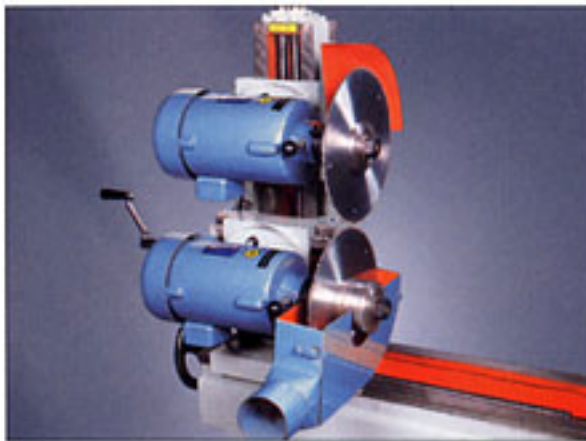


### SAWHEAD ONLY

This sawhead provides cut-off operations only. Sawhead can be swivelled 360° for bevel cutting.

#### 鋸切結構

此結構只提供切斷功能，鋸片可 360° 傾斜調整作斜鋸加工。



### TOP AND BOTTOM SAWHEAD

This mechanism offers cut off and trimming operation simultaneously, you will get a very clean cut off edge.

#### 上下雙鋸頭

鋸切及修邊同時完成，鋸面乾淨俐落。特別適用於雙面薄片之精密鋸切，無毛邊產生。



### TOP AND BOTTOM SAWHEAD WITH SPINDLE MOULDER

When a burr-free cutting is required, the top and bottom sawhead model is recommended. This combination will permit cut off and edge moulding in a single pass.

#### 上下雙鋸及立軸組合

免除鋸切毛邊之困擾，鋸切及鉋榫一次完成

## DOUBLE END MITER SAW

### 雙端圓鋸機

#### **TDS-4**

Max.length of cut 48"  
最大加工長度 48"

#### **TDS-6**

Max.length of cut 72"  
最大加工長度 72"

#### **TDS-8**

Max.length of cut 96"  
最大加工長度 96"

- Hand operated clamping and feeding of stock.
- Performs double end cut off operation at a time.
- Each head is independently controlled.
- Sawhead swivells 360°.
- Sawblade not included.
- 手動夾料，手動送料。
- 雙端鋸切一次完成。
- 疊板鋸切，極方便。
- 鋸片調整角度360°。
- 鋸片為特別配備。



**TDS-4**  
SINGLE CARRIAGE 單軌式



**TDS-6/TDS-8**  
DOUBLE CARRIAGE 雙軌式

## DOUBLE END MITER SAW

### WITH MOULDING HEAD

### 雙端圓鋸附立軸機

#### **TDS-4S**

Max.length of cut 48"  
最大加工長度 48"

- Moulding spindle is mounted at the rear of each sawhead enable machine performs edge moulding after stock is cut off. Both operation can be accomplished in a single pass of stock feeding.
- Single rail construction.
- Hand operated clamping and feeding of stock.
- Both sawhead and moulding head can be swivelled 360°.
- Sawblade & cutter not included.
- 雙端鋸切及鉋樺一次完成。
- 單滑軌結構。
- 手動夾料，手動送料。
- 鋸片及立軸調整360°。
- 鋸片及刀具為特別配備。



**TDS-4S**  
SINGLE CARRIAGE 單軌式

## DOUBLE END MITER SAW & TOP-BOTTOM SAWHEAD & AIR CLAMPING

### 上下鋸雙端圓鋸機 & 氣壓夾料

#### **TDS-4C-T**

Max.length of cut 48"  
最大加工長度 48"

- It performs cut-off, burrs trimming functions.
- Air clamp furnished as standard for comfortable workpiece clamping.
- Designed for burr-free cutting is required.
- Both sawhead swivells 360°.
- Sawblade not included.
- 具切斷及修邊功能。
- 氣壓夾料。
- 鋸片可調整360°。
- 鋸片為特別配備。



**TDS-4C-T**  
SINGLE CARRIAGE 單軌式

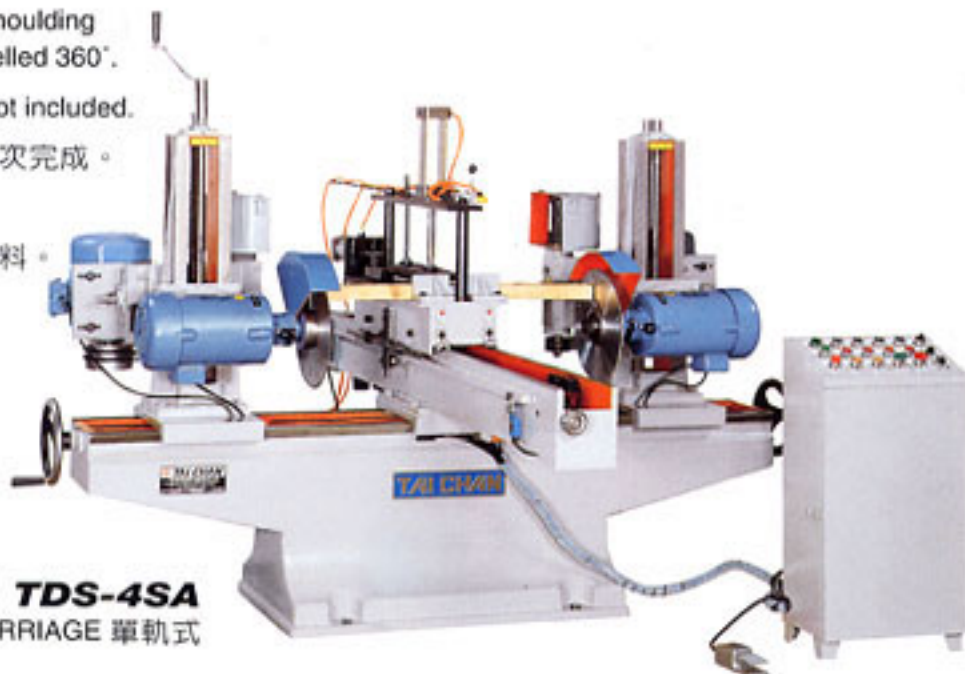
**AUTOMATIC DOUBLE END  
MITER SAW WITH  
MOULDING HEAD**

**自動雙端圓鋸附立軸機**

**TDS-4SA**

Max.length of cut 48"  
最大加工長度 48"

- Moulding spindle is mounted at the rear of each sawhead enable machine performs edge moulding after stock is cut off. Both operation can be accomplished in a single pass of stock feeding.
- Single rail construction.
- Automatic operation by a single depress of foot switch. Operator need to do is loading and unloading workpiece.
- Both sawhead and moulding spindle can be swivelled 360°.
- Sawblade & cutter not included.
- 雙端鋸切及鉋榫一次完成。
- 單滑軌結構。
- 自動夾料，自動送料。
- 鋸片及立軸調整角度360°。
- 鋸片及刀具為特別配備。



**TDS-4SA**  
SINGLE CARRIAGE 單軌式

**AUTOMATIC DOUBLE END  
MITER SAW WITH MOULDING  
HEAD & TOP-BOTTOM  
SAWHEAD**

**自動上下雙端圓鋸  
附立軸機**

**TDS-4SA-T**

Max.length of cut 48"  
最大加工長度 48"

**TDS-6SA-T**

Max.length of cut 72"  
最大加工長度 72"

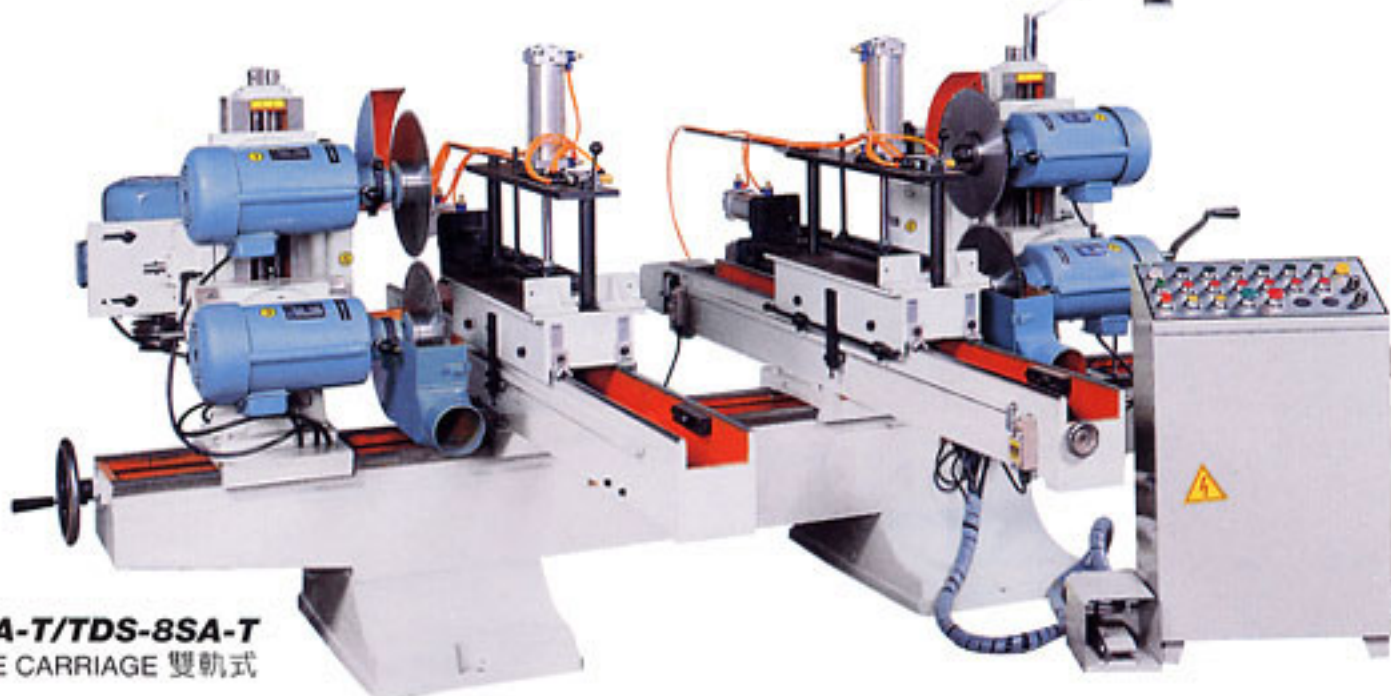
**TDS-8SA-T**

Max.length of cut 96"  
最大加工長度 96"

- It performs cut-off, burrs trimming, and edge moulding function.
- Automatic operation by a single depress of foot switch. Operator need to do is loading and unloading workpieces.
- Both sawhead and moulding spindle can be 360° swivelled.
- Sawblade & cutter not included.
- 具切斷、修邊、鉋榫功能。
- 自動夾料，自動送料。
- 鋸片及立軸可360°調整。
- 鋸片及刀具為特別配備。

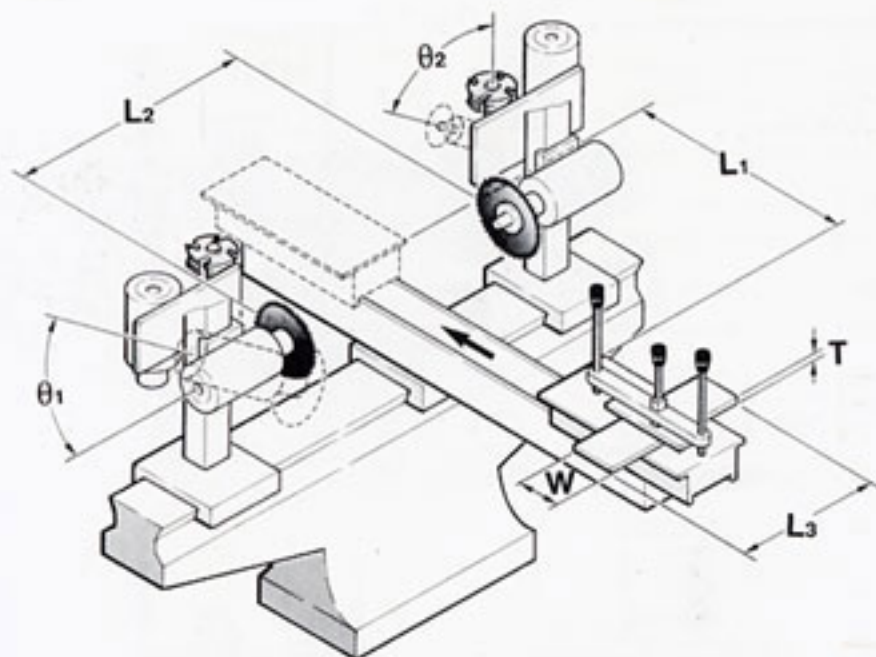


**TDS-4SA-T**  
SINGLE CARRIAGE 單軌式



**TDS-6SA-T/TDS-8SA-T**  
DOUBLE CARRIAGE 雙軌式

## SUMMARIZED SPECIFICATION 主規格



| MODEL 機型                         | TDS-4  | TDS-6  | TDS-8  |
|----------------------------------|--------|--------|--------|
| Carriage Stroke 夾料座行程<br>L1      | 24"    | 24"    | 24"    |
| Max. Length 最長加工<br>L2           | 48"    | 72"    | 96"    |
| Min. Length 最短加工<br>L3           | 12"    | 12"    | 12"    |
| Saw Swivel 鋸片調整角度<br>theta 1     | 360°   | 360°   | 360°   |
| Moulder Swivel 立軸調整角度<br>theta 2 | 360°   | 360°   | 360°   |
| Board Thickness 板料厚<br>T         | 4-1/2" | 4-1/2" | 4-1/2" |
| Board Width 板料寬<br>W             | 20"    | 20"    | 20"    |

## SPECIFICATIONS 規格

| MODEL 型式   | TDS-4                         | TDS-6            | TDS-8            |
|--|-------------------------------|------------------|------------------|
| <b>CAPACITY 加工能力</b>   |                               |                  |                  |
| Carriage   | SINGLE RAIL 單滑軌式              | DOUBLE RAIL 雙滑軌式 | DOUBLE RAIL 雙滑軌式 |
| Max. length of cut 最大加工長度                                    | 48"                           | 72"              | 96"              |
| Min. length of cut 最短加工長度                                    |                               | 12"              |                  |
| Max. width of cut 最大加工寬度                                     |                               | 24"              |                  |
| Max. clamping thickness 最大夾鉗厚度                               |                               | 4-1/2"           |                  |
| <b>SAW 鋸片</b>  |                               |                  |                  |
| Sawblade dia. 鋸片直徑   | 8" / 10" / 12" (optinal 特別配件) |                  |                  |
| Saw arbor 鋸軸直徑   | Ø1"                           |                  |                  |
| Sawblade speed 鋸片轉速  | 3400RPM                       |                  |                  |
| Sawhead swivel 鋸片迴轉角度  | 360°                          |                  |                  |
| <b>MOULDER (For model mounted moulder only.) 立軸規格 (選購配備)</b> |                               |                  |                  |
| Moulder spindle dia. 立軸直徑                                    | Ø1"                           |                  |                  |
| Spindle Speed 立軸轉速 (三速)                                      | 3400 / 6000 / 9000 RPM        |                  |                  |
| Spindle swivel 立軸迴轉角度  | 360°                          |                  |                  |
| <b>TRAVERSE 行程</b>   |                               |                  |                  |
| Saw longitudinal travel 鋸片縱向行程                               |                               | 12"              |                  |
| Saw vertical travel 鋸頭上下行程                                   |                               | 17"              |                  |
| Carriage cross travel 夾料座行程                                  |                               | 24"              |                  |
| <b>MOTOR 馬達</b>  |                               |                  |                  |
| Sawhead drive 鋸片驅動馬達   |                               | 2HPx2            |                  |
| Moulder spindle 立軸驅動馬達 (選購配備)                                |                               | 3HPx2            |                  |
| <b>SHIPPING 裝箱明細</b>   |                               |                  |                  |
| Net weight / Gross weight 淨重 / 毛重                            | 580 / 690 kgs                 | 800 / 930 kgs    | 950 / 1110 kgs   |
| Machine dimensions 機械尺寸 (長x寬x高)                              | 88"x68"x53"                   | 112"x51"x45"     | 136"x51"x45"     |
| Pcaking dimensions 裝箱尺寸 (長x寬x高)                              | 83.5"x32"x55"                 | 110.5"x44"x52.5" | 131.5"x42"x52.5" |

- All specifications, dimensions and design characteristics shown in this catalogue are subject to change without notice.
- 本公司隨時進行研究改善的工作，因此本型錄內所有規定尺寸及設計特性，得以變更，不另行通知。



## TAI CHAN MACHINERY INDUSTRIAL CO., LTD. 邵展機械工業股份有限公司

FENG YUAN FACTORY (Head office)

NO. 4, ALLEY 151, LANE 742, SAN FENG RD, TUNG NAN LI,  
FENG YUAN 420, TAICHUNG COUNTY, TAIWAN,

豐原廠 (總公司)

台灣省台中縣豐原市 420 東涌里三豐路 742 巷 151 弄 4 號

TEL: 886-4-525 5788 (REP代表號)

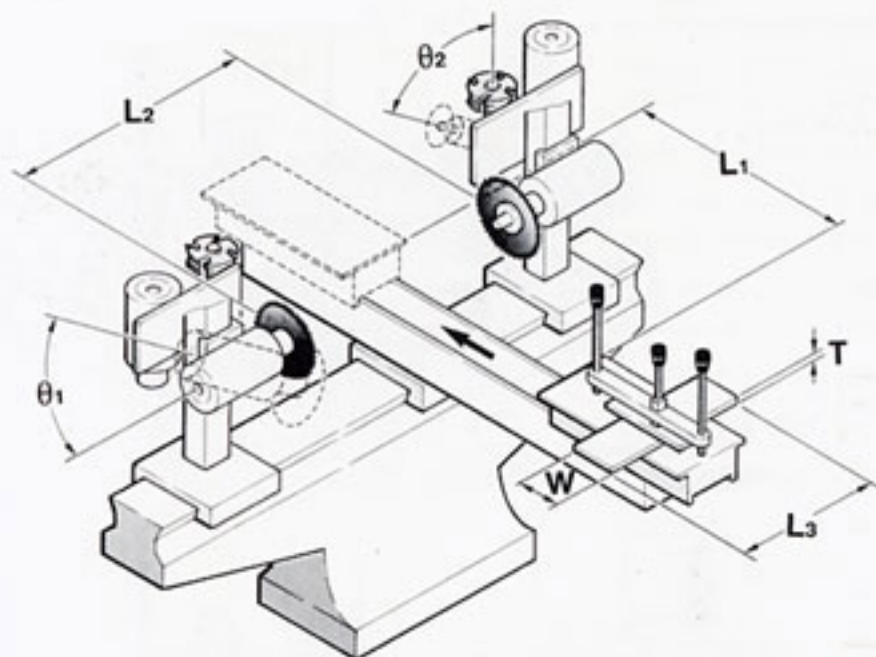
FAX: 886-4-527 7804

<http://www.taichann.com>

<http://www.panel-saws.com>

E-mail: taichann@ms32.hinet.net

## SUMMARIZED SPECIFICATION 主規格



| MODEL 機型                         | TDS-4  | TDS-6  | TDS-8  |
|----------------------------------|--------|--------|--------|
| Carriage Stroke 夾料座行程<br>L1      | 24"    | 24"    | 24"    |
| Max. Length 最長加工<br>L2           | 48"    | 72"    | 96"    |
| Min. Length 最短加工<br>L3           | 12"    | 12"    | 12"    |
| Saw Swivel 鋸片調整角度<br>theta 1     | 360°   | 360°   | 360°   |
| Moulder Swivel 立軸調整角度<br>theta 2 | 360°   | 360°   | 360°   |
| Board Thickness 板料厚<br>T         | 4-1/2" | 4-1/2" | 4-1/2" |
| Board Width 板料寬<br>W             | 20"    | 20"    | 20"    |

## SPECIFICATIONS 規格

| MODEL 型式   | TDS-4                         | TDS-6            | TDS-8            |
|--|-------------------------------|------------------|------------------|
| <b>CAPACITY 加工能力</b>   |                               |                  |                  |
| Carriage   | SINGLE RAIL 單滑軌式              | DOUBLE RAIL 雙滑軌式 | DOUBLE RAIL 雙滑軌式 |
| Max. length of cut 最大加工長度                                    | 48"                           | 72"              | 96"              |
| Min. length of cut 最短加工長度                                    |                               | 12"              |                  |
| Max. width of cut 最大加工寬度                                     |                               | 24"              |                  |
| Max. clamping thickness 最大夾鉗厚度                               |                               | 4-1/2"           |                  |
| <b>SAW 鋸片</b>  |                               |                  |                  |
| Sawblade dia. 鋸片直徑   | 8" / 10" / 12" (optinal 特別配件) |                  |                  |
| Saw arbor 鋸軸直徑   | Ø1"                           |                  |                  |
| Sawblade speed 鋸片轉速  | 3400RPM                       |                  |                  |
| Sawhead swivel 鋸片迴轉角度  | 360°                          |                  |                  |
| <b>MOULDER (For model mounted moulder only.) 立軸規格 (選購配備)</b> |                               |                  |                  |
| Moulder spindle dia. 立軸直徑                                    | Ø1"                           |                  |                  |
| Spindle Speed 立軸轉速 (三速)                                      | 3400 / 6000 / 9000 RPM        |                  |                  |
| Spindle swivel 立軸迴轉角度  | 360°                          |                  |                  |
| <b>TRAVERSE 行程</b>   |                               |                  |                  |
| Saw longitudinal travel 鋸片縱向行程                               |                               | 12"              |                  |
| Saw vertical travel 鋸頭上下行程                                   |                               | 17"              |                  |
| Carriage cross travel 夾料座行程                                  |                               | 24"              |                  |
| <b>MOTOR 馬達</b>  |                               |                  |                  |
| Sawhead drive 鋸片驅動馬達   |                               | 2HPx2            |                  |
| Moulder spindle 立軸驅動馬達 (選購配備)                                |                               | 3HPx2            |                  |
| <b>SHIPPING 裝箱明細</b>   |                               |                  |                  |
| Net weight / Gross weight 淨重 / 毛重                            | 580 / 690 kgs                 | 800 / 930 kgs    | 950 / 1110 kgs   |
| Machine dimensions 機械尺寸 (長x寬x高)                              | 88"x68"x53"                   | 112"x51"x45"     | 136"x51"x45"     |
| Pcaking dimensions 裝箱尺寸 (長x寬x高)                              | 83.5"x32"x55"                 | 110.5"x44"x52.5" | 131.5"x42"x52.5" |

- All specifications, dimensions and design characteristics shown in this catalogue are subject to change without notice.
- 本公司隨時進行研究改善的工作，因此本型錄內所有規定尺寸及設計特性，得以變更，不另行通知。



## TAI CHAN MACHINERY INDUSTRIAL CO.,LTD. 邵展機械工業股份有限公司

FENG YUAN FACTORY (Head office)

NO. 4, ALLEY 151, LANE 742, SAN FENG RD, TUNG NAN LI,  
FENG YUAN 420, TAICHUNG COUNTY, TAIWAN,

豐原廠 (總公司)

台灣省台中縣豐原市 420 東涌里三豐路 742 巷 151 弄 4 號

TEL: 886-4-525 5788 (REP代表號)

FAX: 886-4-527 7804

<http://www.taichann.com>

<http://www.panel-saws.com>

E-mail: taichann@ms32.hinet.net